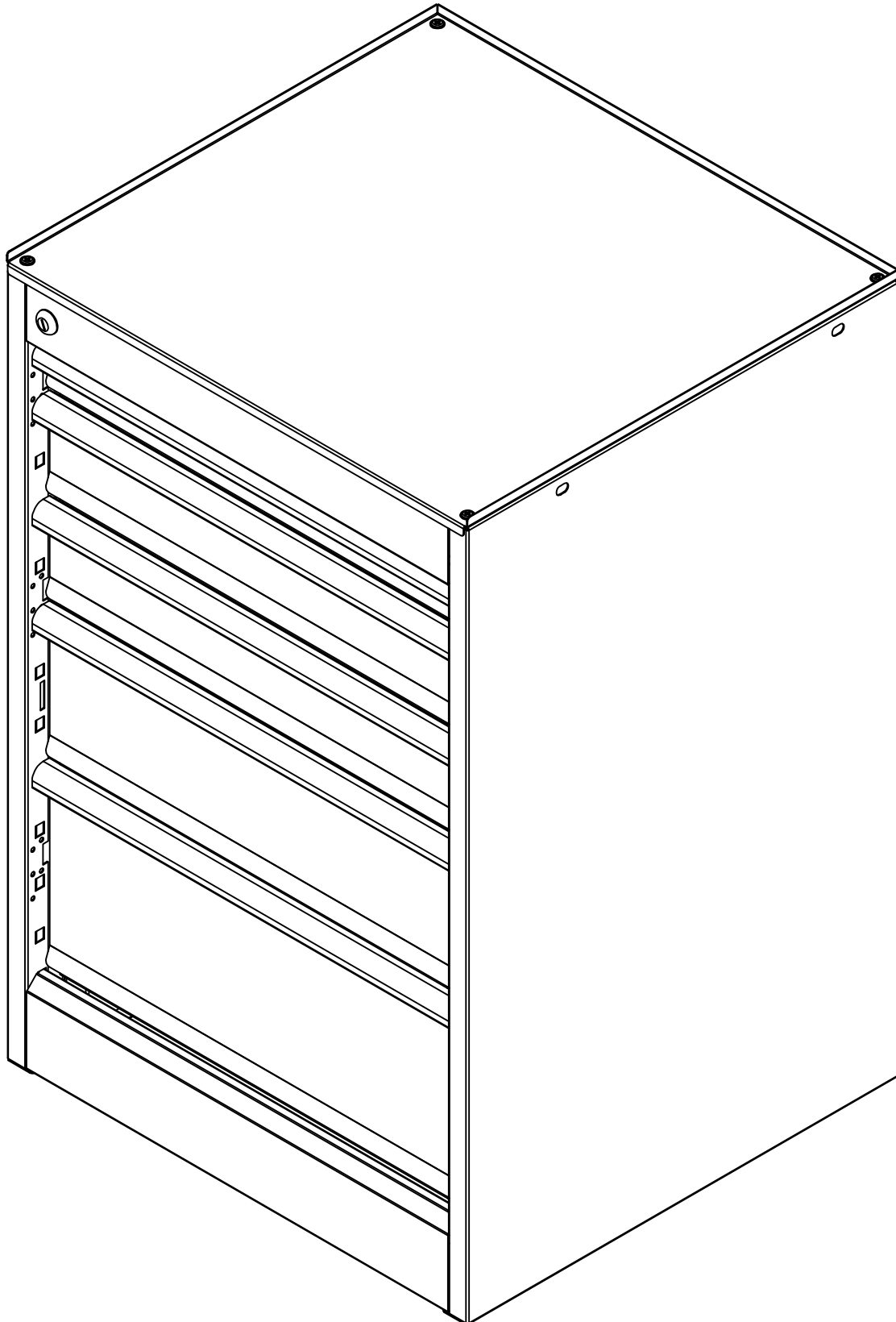
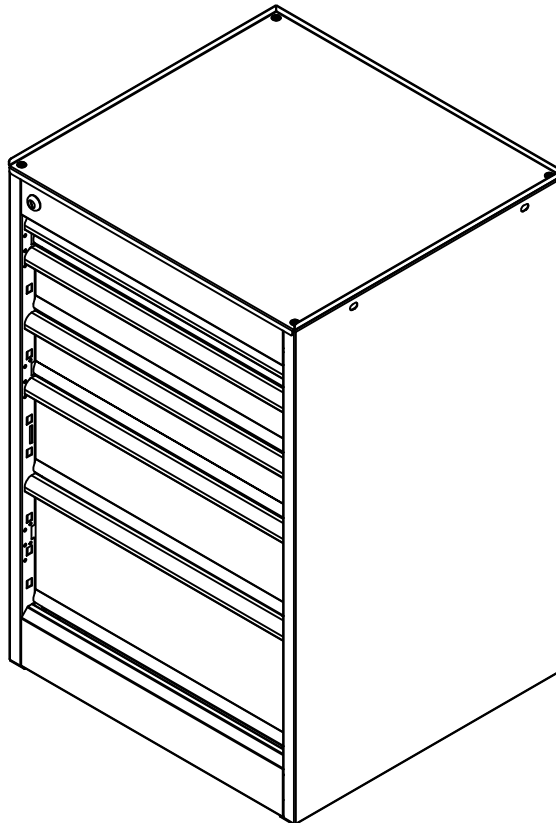
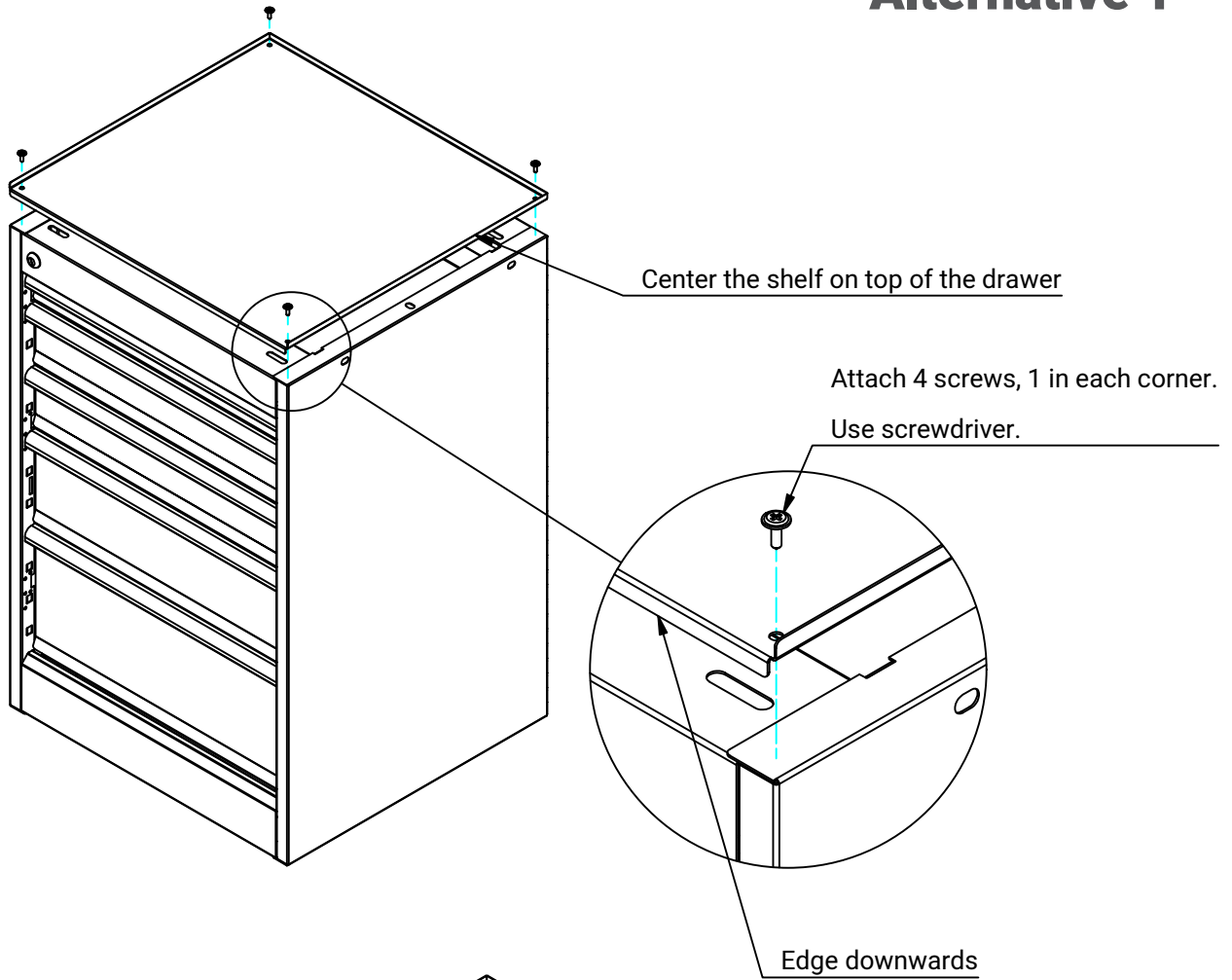


## Top plate workshop drawer



# Alternative 1



## Alternative 2

