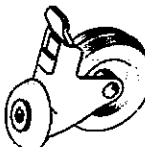
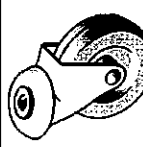






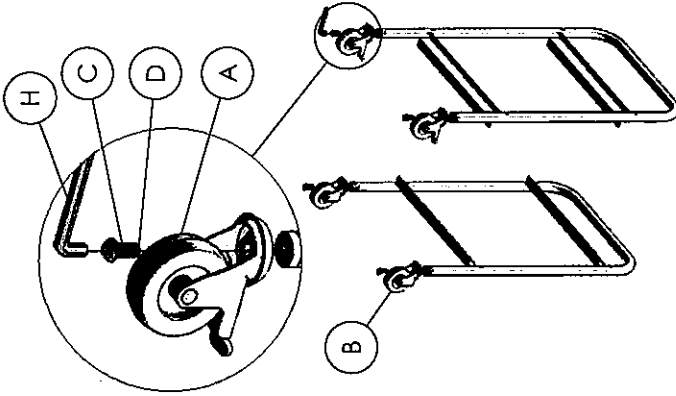


# ASSEMBLY INSTRUCTION

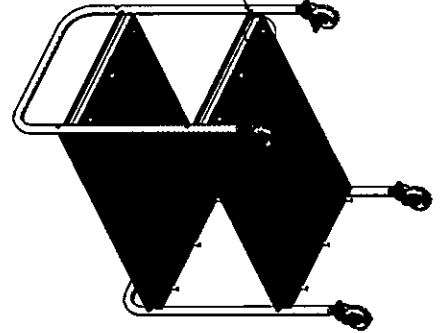
## Service trolley

ITEM	DESCRIPTION	QTY.
A	 Castor with break Ø 100	2
B	 Castor with out break Ø 100	2
C	 Hex Socket Head M10 x 30mm	4
D	 Lock washer	4
E	 Flat Head Cap Screw M6 x 50mm	8
F	 Wood Screw M4 x 15mm	12
G	 Hex Key Wrench 4mm	1
H	 Hex Key Wrench 6mm	1

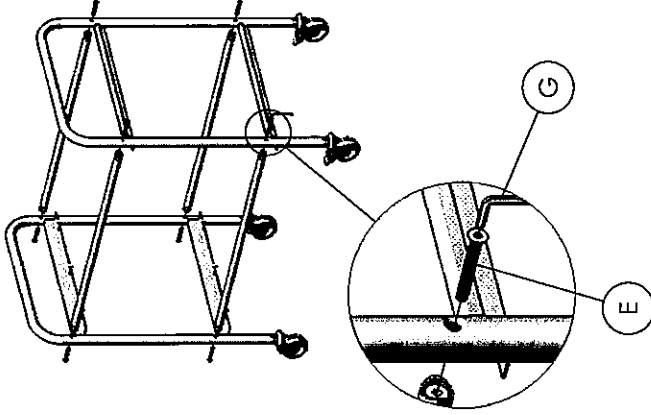
**STEP 1.**  
Assemble the castors on the leg frames.



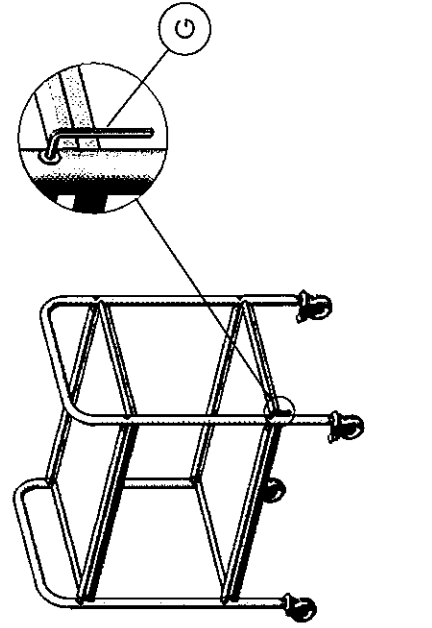
**STEP 4.**  
Tighten the screws.



**STEP 2.**  
Assemble the frame. Not tighten the bolts.



**STEP 5.**  
Tighten the bolts on the frame.



**STEP 3.**  
Assemble the tops on the frame.

